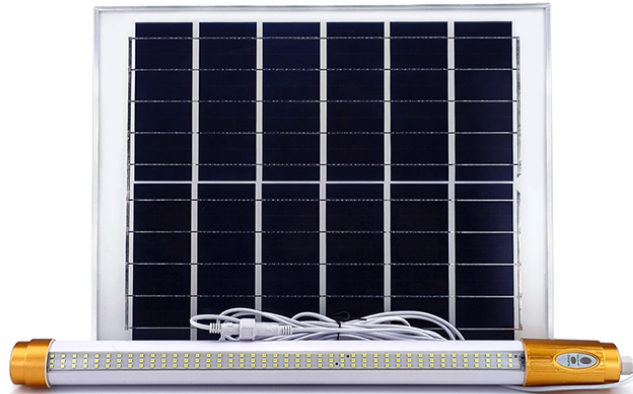


LED Pro Lighting

LED Solar Lighting User Manual

(T8/T12 Solar Fluorescent Lamp Series)



info@layvikay.com

Important Tips

Do not connect AC220V or AC110V to this lamp as this will damage it and is likely to cause **personal injury** or **electric shock**.

Make sure the installation is securely fastened in a strong/permanent fixing position to avoid injury from dropping.

Only specialized technicians are allowed to disassemble the light, panel or any of its components. Warranty will not be honored after disassembly without the dealer's permission.

Please clean dust, debris and bird droppings from your solar panel on a regular basis, as this will keep the panel at peak output efficiency for charging the batteries.

Features

1. Radar sensing function
2. Optical control function.
3. Large capacity lithium battery
4. No professional electrician is required, easy to mount.
5. Turn it off in the daytime and turn it on at night automatically.
6. Comes with a high-efficiency polycrystalline silicon solar panel.
7. Designed for long-term and reliable performance with little or no maintenance.

Specification

T8 Solar Fluorescent Lamp

Model:ST-TL-42PA	
Solar Panel	6V 6W
Solar Panel Size	270x180mm
LEDs	42pcs SMD2835
Battery	3.7V/4000mAh
Luminous Flux	360lm
Working Mode	human body induction

T8 Solar Fluorescent Lamp

Model:SL-TL-60P	
Solar Panel	6V8W
Solar Panel Size	350x235mm
LEDs	60pcs SMD2835
Battery	3.7V/5000mAh
Luminous Flux	480lm
Working Mode	human body induction

T12 Solar Fluorescent Lamp

Model:ST-TL-57P	
Solar Panel	6V6W
Solar Panel Size	270x180mm
LEDs	57pcs SMD3030
Battery	3.2V/4000mAh
Luminous Flux	420lm
Working Mode	human body induction

T12 Solar Fluorescent Lamp

Model:ST-TL-75P	
Solar Panel	6V8W
Solar Panel Size	350x235mm
LEDs	75pcs SMD3030
Battery	3.2V/6000mAh
Luminous Flux	600lm
Working Mode	constant bright /radar induction
Extended Wire Length	5m (default)

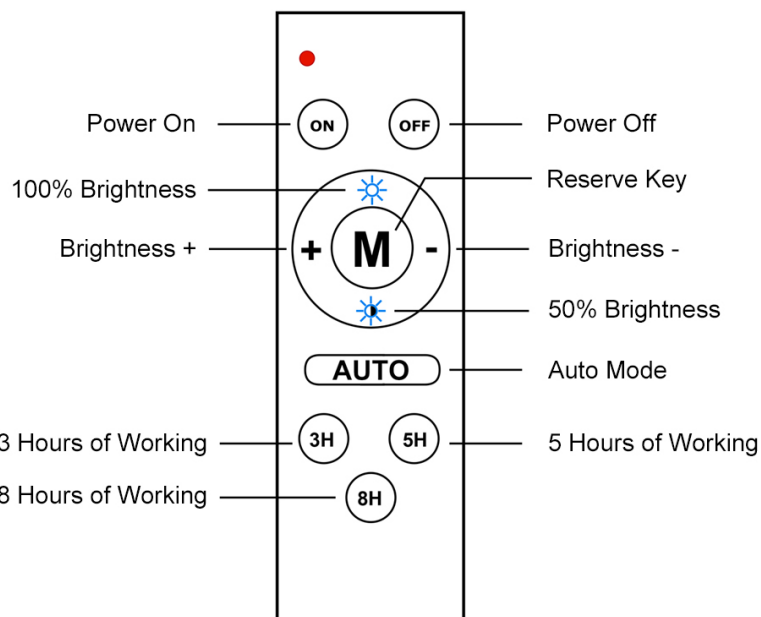
T12 Solar Fluorescent Lamp

Model:ST-TL-108P	
Solar Panel	6V15W
Solar Panel Size	350x300mm
LEDs	108pcs SMD3030
Battery	3.2V/12000mAh
Luminous Flux	1200lm
Working Mode	constant bright /radar induction
Extended Wire Length	5m (default)

T12 Solar Fluorescent Lamp

Model:SL-TL-126P	
Solar Panel	6V20W
Solar Panel Size	350x450mm
LEDs	126pcs SMD3030
Battery	3.2V/18000mAh
Luminous Flux	1450lm
Working Mode	constant bright /radar induction
Extended Wire Length	5m (default)

Remote Control



Auto Mode:

- 1, Automatically starts charging when it's dawn and turns off the lamp at the same time.
- 2, Automatically turns on the lamp to work during the night.

Packing List

- 1, LED Tube Lamp x1pc
- 2, Solar Panel with Extended Wire Length x1pc
- 3, Remote Controller x 1pc
- 4, Support Bracket x 1pc + Hand-tightened Screws x 2pcs
- 5, Expansion Screws for Walls x 4pcs
- 6, User Manual x 1pc

We reserve the right to make any improvements to these products without notice.

Installation

Step 1:

It needs to be installed on a wall or platform facing the sunlight.

- 1) Please note that there should be no shade around the solar panel.
- 2) There should be no additional light sources on the solar panel at night. Extra light will keep the solar panel charged, which will cause the light to turn off automatically.

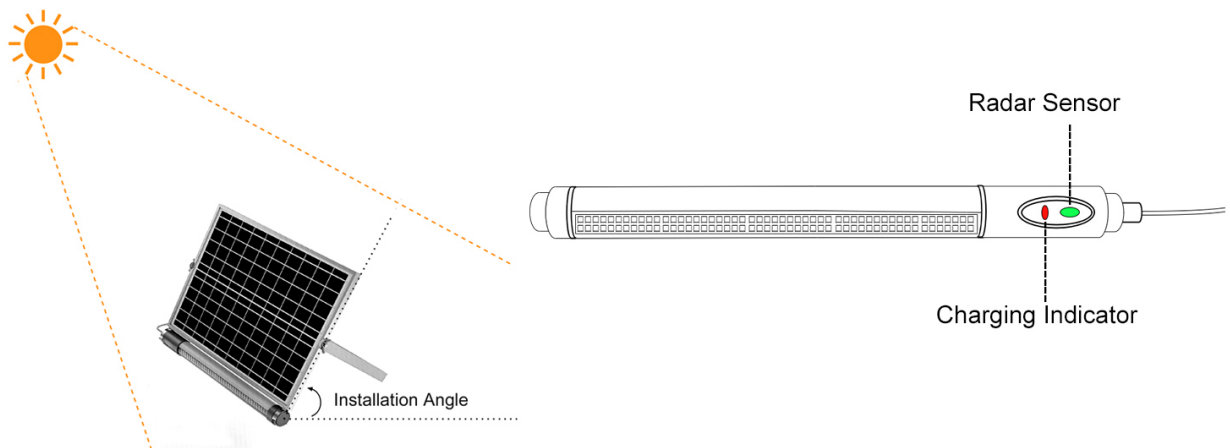
Step 2:

After determining the mounting position, use expansion screws to fix the bracket.

Step 3:

Secure the solar panel to the bracket and adjust the installation angle.

- 1) In low latitude areas (e.g. India, Southern Asia, Central America, Africa), it is recommended to adjust the angle to 20-25 degrees.
- 2) In mid-latitude areas (e.g., Europe, northern United States), it is recommended that the angle be adjusted to 30-35 degrees.
- 3) In high latitude areas (e.g. Northern Europe, Canada), it is recommended to adjust the angle to 40 degrees.



Step 4:

Fix the LED tube light, then connect with the extension cable connector together. Use the remote control pad to press the AUTO button and then it starts working automatically. The charging indicator flashes regularly when the solar panel is charging.

